

Art. 023-1968-001

Front-end service with support for 1 hose reel

It is predisposed universal holes that allow the application of pump, hose reels and support for drops collection

Art. 023-1968-002

Front-end service with support for 2 hose reels

It is predisposed universal holes that allow the application of hose reels and support for drops collection

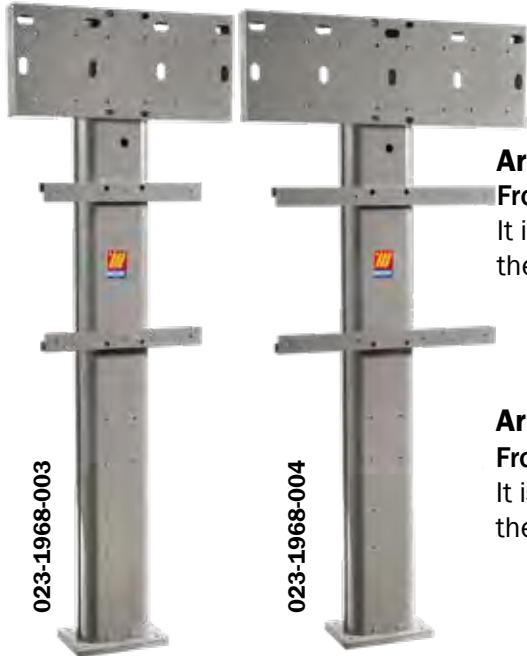
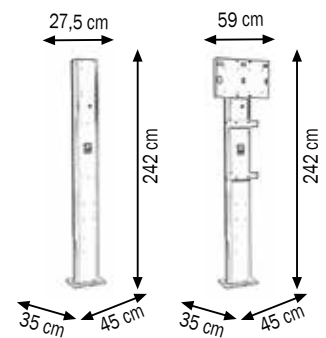
023-1968-001



023-1968-002



023-1968-001	62,000	0,36	2
023-1968-002	64,300	0,38	2



Art. 023-1968-003

Front-end service support for 3 hose reels

It is predisposed of hole that allows the application of hose reels and support for drops collection

Art. 023-1968-004

Front-end service support for 4 hose reels

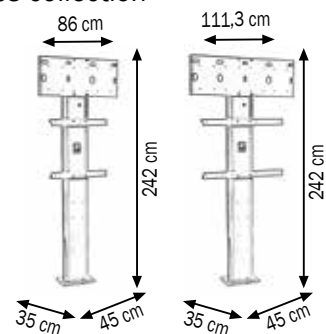
It is predisposed of hole that allows the application of hose reels and support for drops collection

023-1968-003

023-1968-004



023-1968-003	67,800	0,39	2
023-1968-004	76,500	0,40	2



Fixed supports that offer an independent working station. They allow an optimal placing in every working environment (factories and repair shops) allowing to operate in a clean and safe way and without wasting of lubricant oils for different uses.